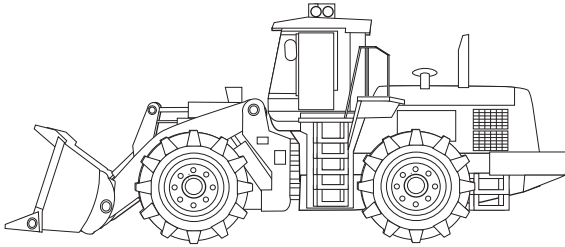
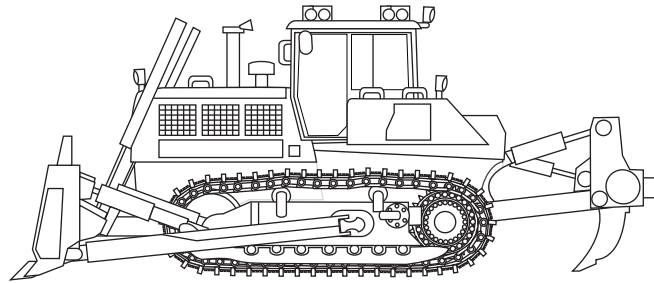


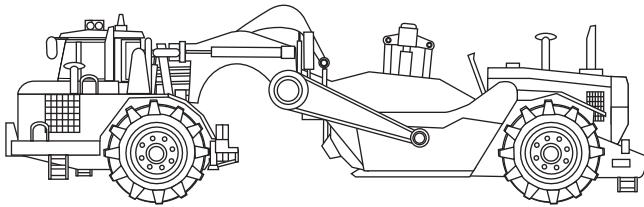
EQUIPMENT QUIZ!



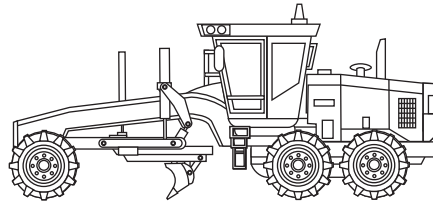
1 _____



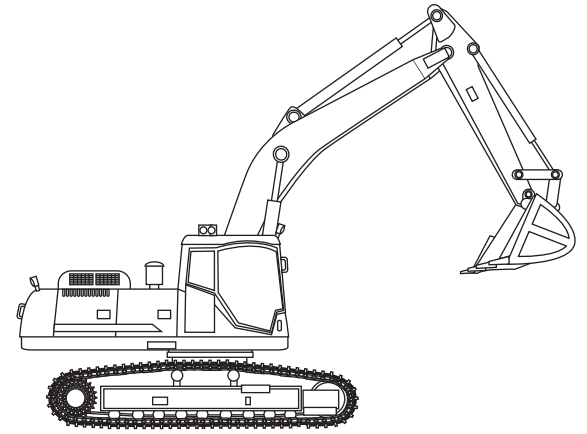
2 _____



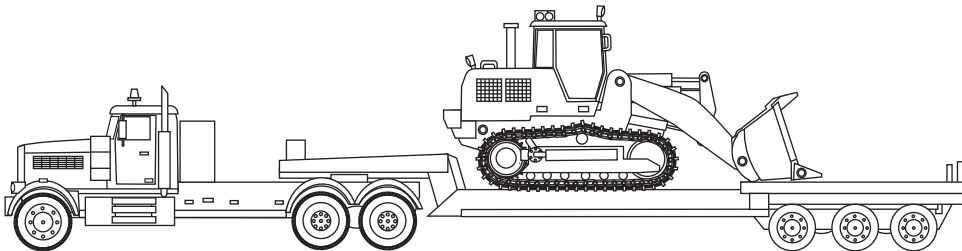
3 _____



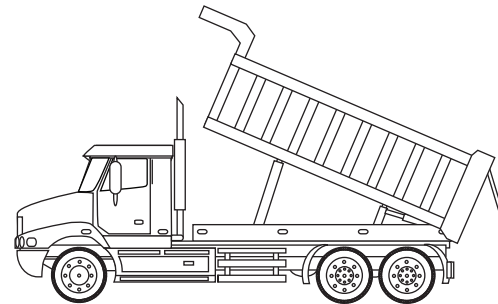
4 _____



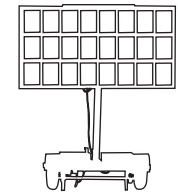
5 _____



6 _____



7 _____



8 _____

Equipment Quiz!

Can you name the pieces of equipment in the drawings above?
What are they used for?

1. Loader; 2. Dozer; 3. Scraper; 4. Motor Grader; 5. Excavator;
6. Truck, Low-bed and Track Loader; 7. Dump Truck; 8. Message Board



Q&D CONSTRUCTION

est. 1964